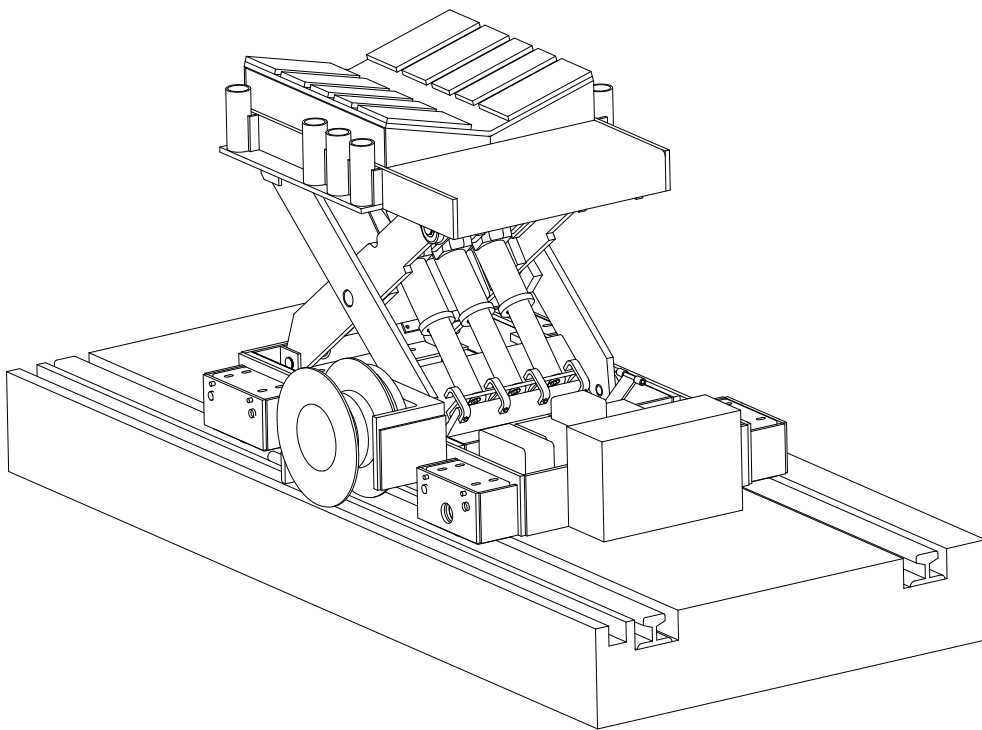


INSTALLATION, OPERATION, AND SERVICE MANUAL

TROJAN COIL CAR



P.O. Box 1058 • 1058 West Industrial Avenue • Guthrie, OK 73044-1058 • 405-282-5200 •
FAX: 405-282-8105 • www.autoquip.com

Item # 830CC

Version 1.0
09/2001

TABLE OF CONTENTS

Identification and Inspection	3
Dangers, Warnings, and Cautions	4
Label Identification	8
Specifications	11
Lift Blocking Instructions	12
Installation Instructions	14
Operating Instructions	17
Routine Maintenance	19
General Maintenance	22
Replacement Parts List	31
Troubleshooting Analysis	32
Warranty	37

IMPORTANT

Please read and understand this manual prior to installation or operation of this unit. Failure to do so could lead to property damage and/or serious personal injury. If any questions arise, call a local representative or *Autoquip Corporation* at 1-888-811-9876 or 405-282-5200.

PLANNED MAINTENANCE PROGRAM

A local *Autoquip* representative provides a Planned Maintenance Program (PMP) for this equipment using factory-trained personnel. Call a local representative or *Autoquip Corporation* at 1-888-811-9876 or 405-282-5200 for more information.

IDENTIFICATION & INSPECTION

IDENTIFICATION

When ordering parts or requesting information or service on this unit, PLEASE REFER TO THE MODEL AND SERIAL NUMBER. This information is on a nameplate attached to the leg assembly. Replacement parts are available from a local *Autoquip* distributor.

INSPECTION

Immediately upon receipt of the unit, a visual inspection should be made to determine that it has not been damaged in transit. Any damage found must be noted on the delivery receipt. In addition to this preliminary inspection, the unit should be carefully inspected for concealed damage. Any concealed damage found that was not noted on the delivery receipt should be reported in writing to the delivering carrier within 48 hours.

The following is a checklist that will aid in the inspection of the lift.

1. Examine the entire unit for any signs of mishandling. Pay special attention to the power unit and pushbuttons.
2. Thoroughly examine all connections, making sure they have not vibrated loose during transit.
3. After installation, raise the lift and inspect the base frame, platform, scissors assembly, and cylinder plumbing connections.

DANGERS, WARNINGS & CAUTIONS

SAFETY ALERTS (Required Reading!)

The following SAFETY ALERTS are intended to create awareness of owners, operators, and maintenance personnel of the potential safety hazards and the steps that must be taken to avoid accidents. These same alerts are inserted throughout this manual to identify specific hazards that may endanger uninformed personnel. Identification of every conceivable hazardous situation is impossible. Therefore, all personnel have the responsibility to diligently exercise safe practices whenever exposed to this equipment.



DANGER!

Identifies a hazardous situation that presents the imminent probability of death or of severe personal injury!!



WARNING!

Identifies a hazardous situation that has the potential of causing death or serious personal injury.



CAUTION!

Identifies a hazardous situation that could lead to the possibility of personal injury of death, and/or may result in equipment damage.

DANGERS, WARNINGS & CAUTIONS

Read and understand this manual and all labels prior to operating or servicing the scissors lift. All labels are provided in accordance with ANSI Z535.4.



DANGER!

Do not work under lift without maintenance device! To avoid personal injury, NEVER go under the lift platform until the load is removed and the scissors mechanism is securely blocked in the open position. See the "Lift Blocking Instructions" section.



DANGER!

To avoid personal injury, stand clear of scissors leg mechanism while lift is in motion.



DANGER!

Do not install the lift in a pit unless it has a bevel toe guard or other approved toe protection. A shear point can exist which can cause severe injury to the foot.



DANGER!

HIGH VOLTAGE!! Disconnect and/or lock out the electrical supply to the power unit prior to any maintenance being performed.

DANGERS, WARNINGS & CAUTIONS



DANGER!

Scissors lifts are designed individually for a specific load and application. To avoid personal injury, do not change the load or application from the original design.



WARNING!

NEVER stand, sit or ride on the lift!



WARNING!

All warning and information decals should be in place as outlined in the “Label Identification” section. If decals are missing or damaged, they should be replaced with new ones. Contact *Autoquip* for replacements.



WARNING!

Do not attempt to remove the velocity fuse until the maintenance block securely supports the lift and all hydraulic pressure has been removed from the lifting cylinders and hydraulic hoses. Failure to do so could result in personal injury or death!



CAUTION!

Do not continue to depress the “UP” button on the controller if the lift is not raising or if the lift has reached the fully raised position. To do so may result in permanent damage to the motor or pump.

DANGERS, WARNINGS & CAUTIONS



CAUTION!

Never run the pump for more than a couple of seconds without pumping oil. This applies to low oil conditions, improper motor rotation, running the pump against the relief pressure after the lift is fully raised against the physical stops, running overloaded beyond capacity, or running at reduced speed because of pinched or obstructed hydraulic lines.



CAUTION!

Do not operate the power unit on relief for more than a few seconds. When on relief, the valve will make a squealing sound.



CAUTION!

Precautions should be taken to prevent the introduction of contaminants such as dirt or other foreign material into the system through open fittings, pipes or disassembled components. Contamination will ruin the hydraulic system.



CAUTION!

Use only approved oils in the lift. See “Specifications” section.

LABEL IDENTIFICATION

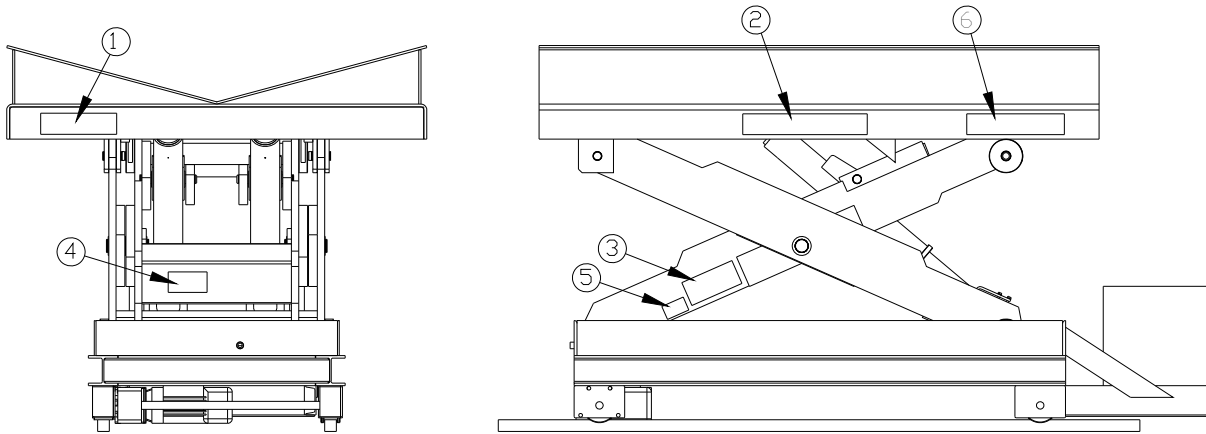


Figure 1 Label Placement

Coil Car			
Item No.	Qty	Description	Part No.
1	2	Caution! Familiarize Yourself With Operators Manual	36401487
2	4	Danger – Do Not Put Hands or Feet . . .	36430050
3	1	<i>Autoquip</i> Serial Number Nameplate	36401511
4	1	Fill with Recommended Oils Only	36400661
5	2	UP – STOP Valve (when applicable)	36401610
6	2	Capacity	36401586

LABEL IDENTIFICATION

Note: Labels shown here are not actual size.



Figure 2 Label 36401487



Figure 3 Label 36430050



Figure 4 Label 36401511

LABEL IDENTIFICATION



Figure 5 Label 36400661

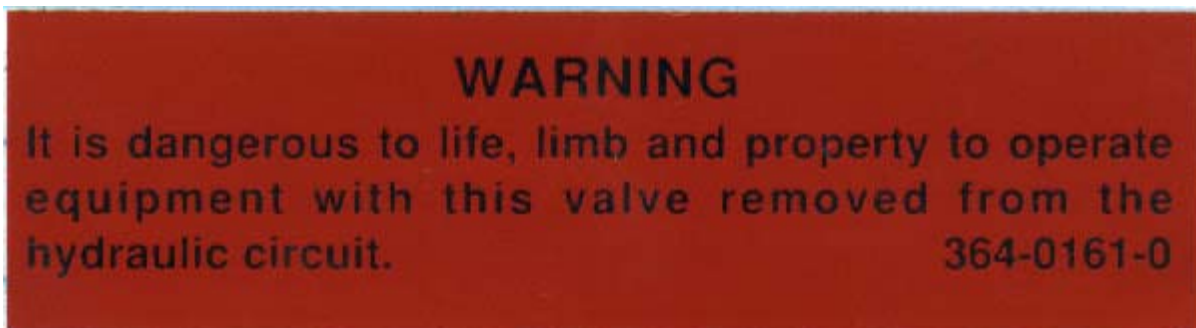


Figure 6 Label 36401610



Figure 7 Label 36401586

SPECIFICATIONS

LOAD CAPACITY

The load capacity rating is stamped on a metal plate attached to one side of the lift. This figure is a net capacity rating for a lift furnished with the standard platform. The relief valve of the pumping unit has been set to raise the weight, plus a small amount for overload. Where gravity roll-sections, special tops, etc, are installed on the lift after leaving the plant, deduct the weight of these from the load rating to obtain the net capacity. **Lifts should not be overloaded beyond the established capacity as damage and/or personal injury may result.**

UNBALANCED LOADING

The stabilization provided is basically for balanced loads. If special attachments extend beyond the length and/or width dimensions of the platform, the end and/or side load capacity is reduced 2% for each one-inch extension from the center.

PUMP PRESSURE

This lift incorporates a positive displacement pump machined to a high degree of accuracy and specially adapted to requirements of higher-pressure ranges over that of a standard pump. Therefore, standard factory models of the same manufacture cannot replace it.

The pump can operate efficiently at intermittent pressures up to 3200 PSI and continuous duty to 2500 PSI. The safety relief valve in the pump assembly is factory-set to stay within the parameters of the pump and lift requirements.

DEMAG DRIVE SYSTEM

The Coil Car incorporates an electric traverse drive system with a motor and gearbox speed reducer directly driving a splined shaft and two drive wheels in high capacity wheel "pockets" attached to each side of the lift. Most components in this Demag drive system are specially machined, high precision, and metric; they should not be replaced with non-Demag components.

LIFT BLOCKING INSTRUCTIONS

1. Remove all load from the platform. Never block the lift when loaded.
2. Raise the platform sufficiently for the base rollers to rollback past the flip-over maintenance locks, located on the base frame of the lift.
3. Engage both maintenance locks by flipping them into the base frame (see Figure 8).
4. Lower the platform until the base rollers come into contact with and rest against the maintenance locks. Always hold the “DOWN” switch a few seconds more until all pressure is gone and the platform is supported entirely and safely by the maintenance locks.
5. Always shut off the main electrical switch, when blocked, to prevent someone from turning it on.



DANGER!

To avoid personal injury, NEVER go under the platform until the load is removed and the lift is securely blocked in the open position.

6. To remove the maintenance locks, raise the platform by activating the “UP” valve to provide sufficient clearance for the removal of the maintenance locks.



DANGER!

Maintenance locks that are bent, damaged, or non-functional must be replaced immediately to avoid personal injury. Contact the Autoquip Service Department for replacement parts and installation instructions.

LIFT BLOCKING INSTRUCTIONS

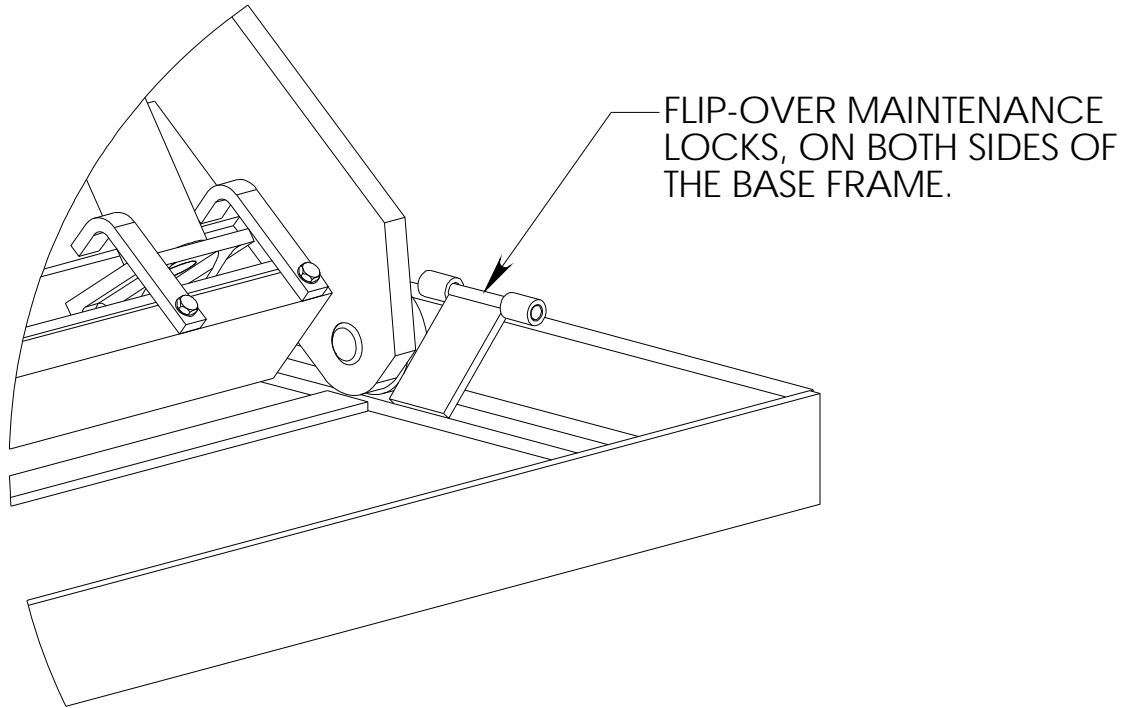


Figure 8 Maintenance Locks

INSTALLATION INSTRUCTIONS

INSTALLATION

1. Make sure installation area is clean before starting.
2. If the permanent electrical work is not complete, some means of temporary lines with an on-off device for the motor should be set up for testing purposes.
3. Place the lift in the installation area, typically on tracks or rails which are supplied and installed by the customer or installer.



CAUTION!

When moving the lift, do not attempt to pick it up by the platform; it is hinged and could be damaged. Pick up the lift from under the base frame ONLY using a strap sling.

4. Make temporary electrical connections. Raise the lift to the top of its travel and check for the proper height.



DANGER!

Do not work under lift without Maintenance Device! To avoid personal injury, NEVER go under the lift platform until the load is removed and the scissors mechanism is securely blocked in the open position. See "Lift Blocking Instructions" section.

5. Run the lift in forward and reverse and check for proper motor rotation and speed.
6. Make permanent electrical connections and operate the lift through a few cycles.
7. Check the oil in the reservoir and add oil, if necessary. See "Routine Maintenance" section.
8. Clean up any debris from the area. A clean installation makes a good impression and creates a much safer environment!

INSTALLATION INSTRUCTIONS

PROCEDURE FOR A LIFT ORDERED WITH AN ACCORDION SKIRT

1. Position the platform in the raised position. Install the maintenance locks (see “Lift Blocking Instructions” section). Position the accordion with the weight rod pocket at the bottom and the mounting collar at the top. The breathable material when provided must be positioned at the top of the skirt with the mounting collar.
2. Slip the skirt over the end of the platform. Turn the skirt as required to slide over the other end of the platform and leg assembly. The skirt should be in position under the platform while enveloping the base assembly.
3. See Figure 10 and select the correct mounting configuration (Figure 1, 2, or 3).

Figure #1: Mounting an Accordion Skirt Onto the Platform Side

Raise one side of the skirt along with a skirt-mounting bar (1/8" x 1") to (1) side of the platform. When possible, center the skirt-mounting collar and skirt-mounting bar (1/8" x 1") on the platform side. Align the pre-drilled holes in the side of the platform with the skirt-mounting bar holes and punch holes in the skirt-mounting collar. Push a nylon drive rivet through each hole in the skirt-mounting bar. Hammer the aluminum pin into the rivet until flush with the rivet head. Repeat mounting process for the remaining sides of the accordion skirt.

Figure #2: Mounting an Accordion Skirt Underneath the Platform

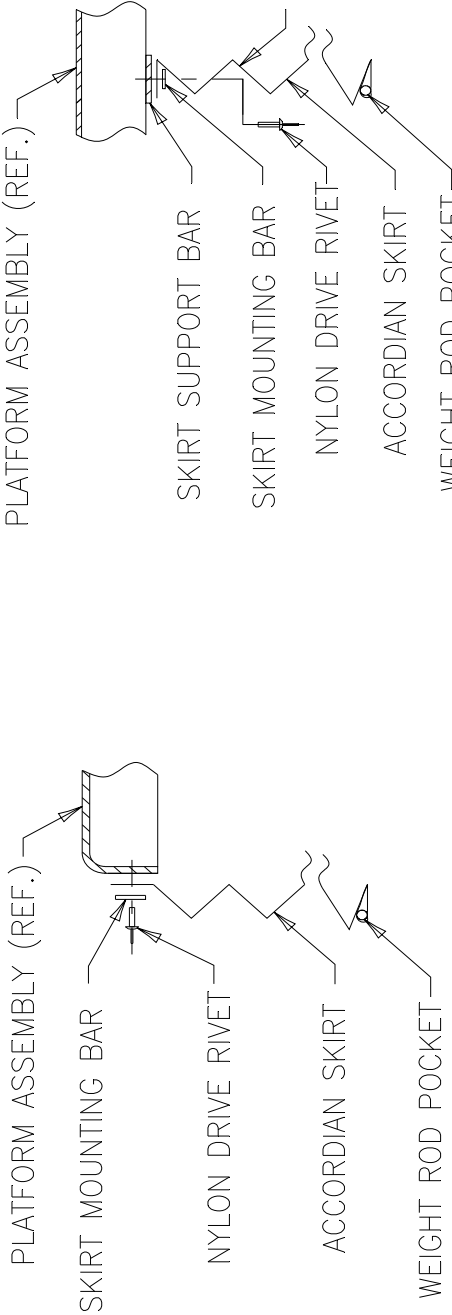
Raise one side of the skirt along with a skirt-mounting bar (1/8" x 1") to the underside of the platform skirt support bar. When possible, center the skirt mounting collar and the skirt-mounting bar (1/8" x 1") on the platform support bar. Align the pre-drilled holes in the skirt support bar (picture frame) with the skirt-mounting bar holes and punch holes in the skirt-mounting collar. Push a nylon drive rivet through each hole in the skirt-mounting bar. Hammer the aluminum pin into the rivet until flush with the rivet head. Repeat mounting process for the remaining sides of the accordion skirt.

Figure #3: Mounting an Accordion Skirt Onto the Bevel Toe Guard

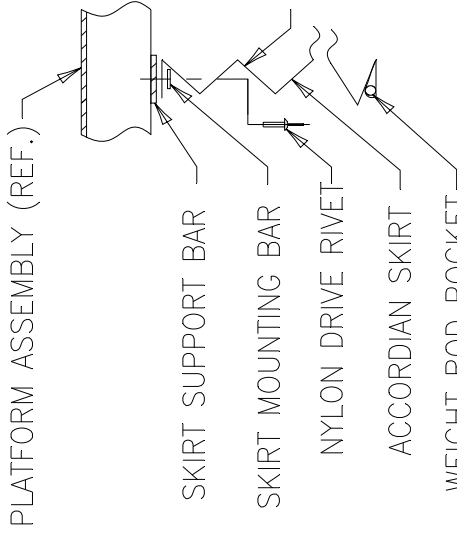
Raise one side of the skirt along with a skirt-mounting bar (1/8" x 1") to the side of the bevel toe guard. When possible, center the skirt mounting collar and the skirt-mounting bar (1/8" x 1") on the platform bevel toe guard. Align the pre-drilled holes in the bevel toe guard with the skirt-mounting bar holes and punch holes in the skirt-mounting collar. Push a nylon drive rivet through each hole in the skirt-mounting bar. Hammer the aluminum pin into the rivet until flush with the rivet head. Repeat mounting process for the remaining sides of the accordion skirt.

4. Install weight rods into the weight rod pockets at the bottom of the accordion skirt. Install the spring tempered wire rods into the pocket of black convolutions.

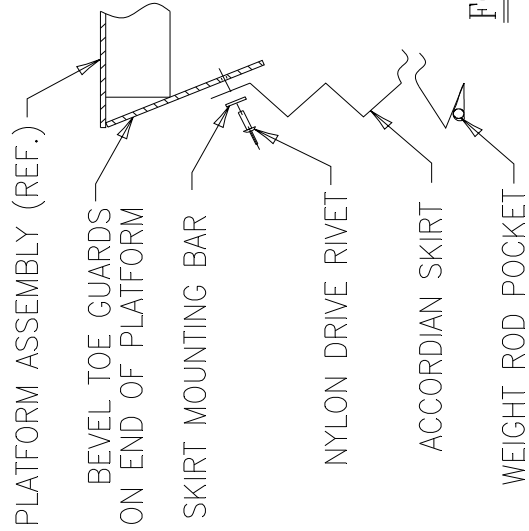
INSTALLATION INSTRUCTIONS



MOUNTING ON SIDE
FIGURE #1



MOUNTING UNDERNEATH
FIGURE #2



MOUNTING ON TOE GUARD
FIGURE #3

FIELD INSTALLATION DRAWING
FOR MOUNTING ACCORDIAN SKIRTS

826-0095-0A

Figure 9 Skirt Installation

OPERATING INSTRUCTIONS

Familiarize yourself with this operator's manual before operating this equipment.



CAUTION!

Do not continue to depress the "UP" button on the controller if the lift is not raising or if the lift has reached the fully raised position. To do so may result in permanent damage to the motor or pump.

Scissors lifts are designed primarily for in-plant applications and are furnished with constant pressure pushbutton and footswitch controls. Actuating the "UP" button causes the coil on the contactor to energize, closing the line contacts and allowing the line voltage to be applied to the motor. The motor will drive a gear pump, which in turn draws oil from the reservoir through the pump and forces it at a constant volume under pressure required by the load. The oil flows through the valves and piping into the hydraulic cylinder. The hydraulic cylinder is attached to structural members of the lift causing the scissor mechanism of the legs to open as the cylinder rod extends.

When the desired height or upward travel of the platform is attained, the "UP" button is deactivated by releasing pressure from the pushbutton or footswitch. The power unit will stop pumping oil, and the check valve will close preventing reverse flow of the oil. This maintains the desired raised position.

To lower the lift, the operator simply depresses the "DOWN" button on the pushbutton control energizing the down valve solenoid. The solenoid activates the valve to open. Once opened, the down valve allows oil in the hydraulic cylinder to flow through the velocity fuse, the flow control, and the down valve at a controlled rate and return to the reservoir. The downward travel of the lift platform may be stopped at a desired elevation by releasing pressure from the "DOWN" button.

NOTE: The motor does not operate during downward travel.



CAUTION!

Do not operate the power unit on relief for more than a few seconds. When on relief, the valve will make an audible squealing sound.

OPERATING INSTRUCTIONS

To traverse the lift the operator simply depresses either the "FORWARD" or "REVERSE" button on the pushbutton control energizing the reversing motor starter in the control panel. The motor starter activates the motor in either direction, which then turns the gearbox reducer. The splined output shaft runs through the gearbox and drives the drive wheels mounted on each side of the lift. When the desired travel is achieved, release the pressure from either the "FORWARD" or "REVERSE" button.

Note: Even though the motor has a brake, there will be slight forward motion after the button is released while the lift "coasts" to a complete stop.

ROUTINE MAINTENANCE

Normally coil cars will require very little maintenance. However, a routine maintenance program could prevent costly replacement of parts and/or downtime.



WARNING!

To avoid personal injury, NEVER go under the lift platform or perform any maintenance on the lift until the load is removed and the scissors mechanism is securely blocked in the open position. See "Lift Blocking Instructions" section.

MONTHLY INSPECTION

1. Check the hydraulic oil level (see oil recommendations in this section) and add appropriate oil when necessary.
2. Check for any visible leaks. Correct as necessary.
3. Check any unusual noise when it occurs. Determine the source and correct as necessary.
4. Check the snap rings at all rollers, if not in place, and/or secure, replace or repair immediately.
5. Check all rollers for signs of wear. Replace as necessary.
6. Do not grease roller or axles; they have lifetime-lubricated bearings.
7. Check all wiring for looseness or wear. Repair at once.
8. Check gearbox "non-rotator" bracket and its connection to the structure of the base frame to ensure it has not vibrated loose or shows signs of excessive wear.

HYDRAULIC OIL REQUIREMENTS

Change oil yearly, or more frequently if it darkens materially or feels gummy or gritty. **Do not use hydraulic-jack oil, hydraulic fluids, brake fluids, or automatic transmission fluid.**

ROUTINE MAINTENANCE

Oil Viscosity Recommendations

Environment (Ambient Temperatures)	Recommended Oil
Indoor location, variable temperatures (30 - 100° F)	10W30 or 10W40 Multiviscosity motor oil
Indoor location, consistent Temperatures (70° F)	SAE-20W motor oil
Outdoor location, (-10 - 100° F)	SAE 5W30 Multiviscosity motor oil
Cold-storage warehouse (10 - 40° F)	5W30 Multiviscosity motor oil
Freezer (-40° F to 0° F)	Consult Factory

GEARBOX LUBRICATION REQUIREMENTS

Under normal operating conditions the oil should be changed after 10,000 hours of service. The oil should, however, be changed at least every four years.

Oil Change

1. Drain the old oil at operating temperature.
2. Remove the vent plug located at the top of the gearbox.
3. Remove the plug at the bottom, which will allow the oil to run out.
4. The oil used to flush the gearbox should have a viscosity of ISO 46 – 68 at 40°C. To flush the gearbox, use twice the amount of oil specified for lubrication. After a few minutes of idle running, the oil may be drained.
5. Repeat the flushing operation several times, preferably in both directions of rotation, and again without a load, to ensure that all remains of the old lubricant are drained with the flushing oil.
6. Fill the gearbox with the quantity of new oil specified on the gearbox data plate.

ROUTINE MAINTENANCE

Oil Grades

For ambient temperatures of approximately -10°C to +50°C (14° to 122°F) a gear oil of ISO 220 at 40°C with mild high-pressure additives should be used, DIN 51502 CLP 220, e.g. BP ENERGOL GR-XP 220, Esso Spartan EP 220, SHELL Omala Oel 220, Mobilgear 630, or Aral Degol BG 220.

At high or lower ambient temperatures, the type of oil used should be adapted to the specific conditions. Contact the Autoquip Customer Assurance department.

Grease Lubrication

If the gearbox casing is filled with low-viscosity grease, it is recommended that this be changed after every 10,000 hours of service.

1. Open the gearbox casing and flush it thoroughly with a commercial cleaning agent.
2. Fill the casing with new grease. The required quantity of grease is indicated on the gearbox data plate.

Grease Quality

For ambient temperatures ranging from approximately -10°C to +50°C (14° to 122°F) a low-viscosity gear grease with a dripping point of approximately 150°C (300°F) and a worked penetration of 380 to 430 1/10 mm should be used, e.g., DIN 51502 GP 00F, z.B. BP Energrelse HT EP00, SHELL Special low-viscosity gear grease H, Esso Fibrax EP 370, or Aralub FD 00.

GENERAL MAINTENANCE

HYDRAULIC CYLINDER REPACKING

1. Raise the lift to its full height and block securely. See “Lift Blocking Instructions”.
2. Hold the “DOWN” control for several seconds to make sure pressure in the lines is bled down.
3. Disconnect the cylinder hose at the power unit end and insert into the oil-fill hole of the reservoir.
4. Remove the thrust angle clip from the ram (plunger) end of the cylinder and force the ram slowly back to its fully closed position to push oil back into the reservoir.
5. Pull the ram all of the way out of the cylinder. Support it carefully so that it does not drop when it clears the cylinder end. Lay it down in a safe, clean place. Some oil may drip from the end of the cylinder so have waste cloth or paper beneath the lift to protect the floor.
6. Remove the seal ring and backup ring.
7. After all of the internal components are removed, use a bright light to inspect the inner walls of the barrel. Use a cylinder hone to remove any apparent nicks or scratches. Clean and flush the barrel after honing.
8. Inspect the ram and seal groove for nicks or scratches that could affect the seal or barrel walls; remove as necessary.
9. Clean the groove thoroughly and install the new seal and backup. Make sure the backup ring is toward the open end of the cylinder.
10. Clean the ram of all foreign materials.
11. Liberally lubricate the ram and seal with CLEAN grease or oil.
12. Insert the ram carefully back into the cylinder taking precaution against pinching or tearing the seal ring.
13. Reinstall the clip over the thrust angle.
14. Reconnect the cylinder hose.

GENERAL MAINTENANCE

15. Restore the oil level.
16. Loosen the bleeder plug at the top end of the ram casing and operate the pump to remove trapped air from the ram. When clear oil appears, tighten the plug and raise the lift slightly to remove the maintenance locks.
17. Lower the lift completely and hold the "DOWN" button for 30-40 seconds to allow air in the lines to bleed back into the tank.
18. Cycle the lift 10 – 15 times.
19. Check the oil level.
20. Clean the oil fill breather cap.
21. Clean up any debris and/or spilled oil from the area.

NOTE: Depending on experience, the job should take 1 – 2 hours.

PIPE THREAD SEALANT

Loctite PST #567 pipe thread sealant or equivalent is recommended. **Do not use Teflon tape.** Tape fragments can cause malfunctioning of the hydraulic system.

GENERAL MAINTENANCE

CYLINDER VELOCITY FUSE REPLACEMENT



DANGER!

Do not attempt to remove the velocity fuse until the lift is securely supported with the maintenance locking devices and all hydraulic pressure has been removed from the lifting cylinders and hydraulic hoses. Failure to follow these instructions could result in personal injury or death!

Never attempt to take a velocity fuse apart and repair it. These are precision devices that are factory assembled under exacting conditions. Velocity fuses should always be replaced.

1. The arrow on the exterior surface of the velocity fuse shows the direction of the restriction to the oil flow. The arrow should always point away from the cylinder.
2. **Do not use Teflon tape on the threaded connections of a velocity fuse.** Tape fragments can cause malfunctioning of the fuse.
3. Check all fitting connections for hydraulic leaks and tighten as necessary.

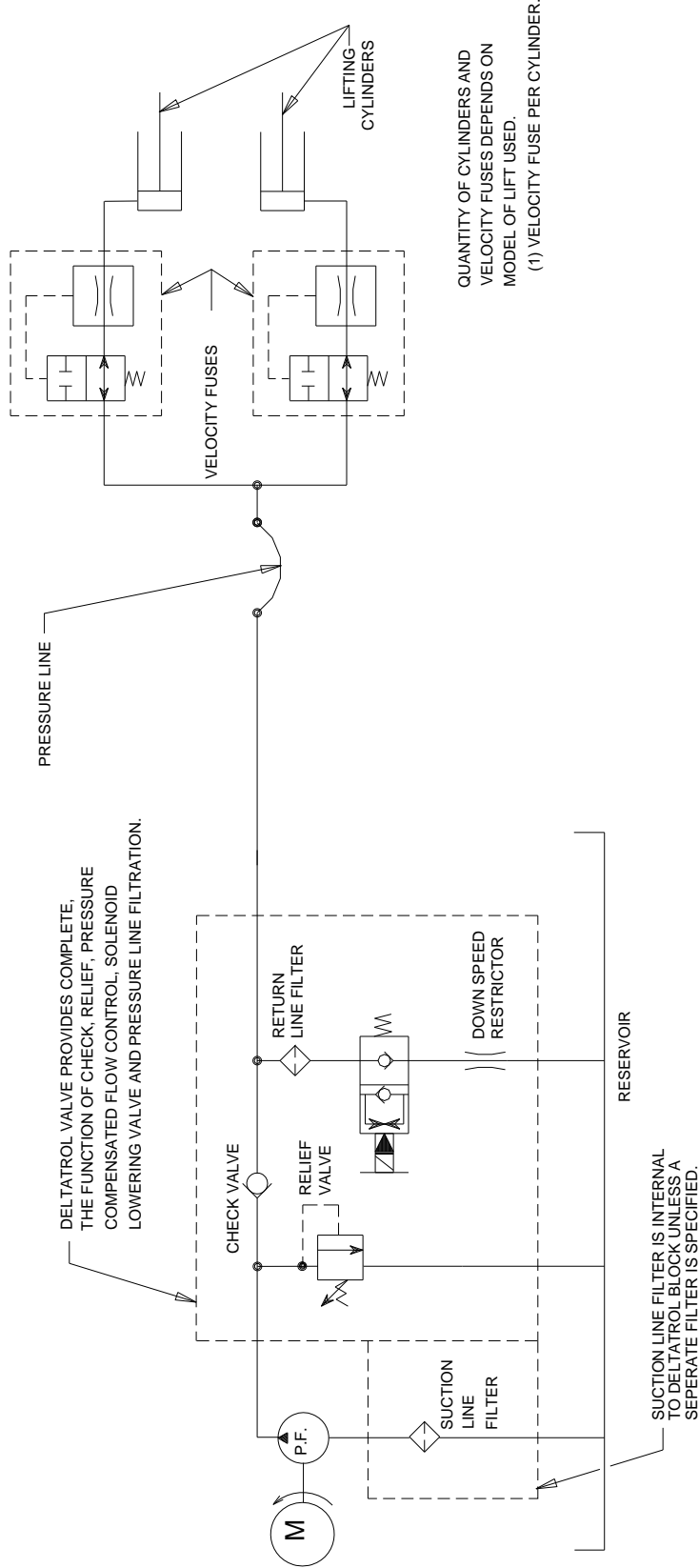
HOSE ORIENTATION

To prevent damage to the cylinder hose and possible failure of lift, it is necessary to establish a correct hose shape and pattern of movement as follows:

1. Raise the lift to its full height and block securely. See "Lift Blocking Instructions".
2. Install one end of the new hose to the cylinder elbow fitting for single cylinder lifts, or to the hosing tee or cross for multiple cylinder lifts.
3. Since some hoses are fixed at both ends, it is possible to put a twist in the hose that will allow it to describe the same pattern each time the lift is operated. This twist will allow the hose to travel about half way between the cylinder on the right side and the inner leg on the right side.
4. Lower the lift carefully and check to see that the hose is free and clear of the cylinder and the inner leg assembly. If not, twist the hose in the direction necessary to clear it of any obstruction and then lock the swivel fitting securely.

GENERAL MAINTENANCE

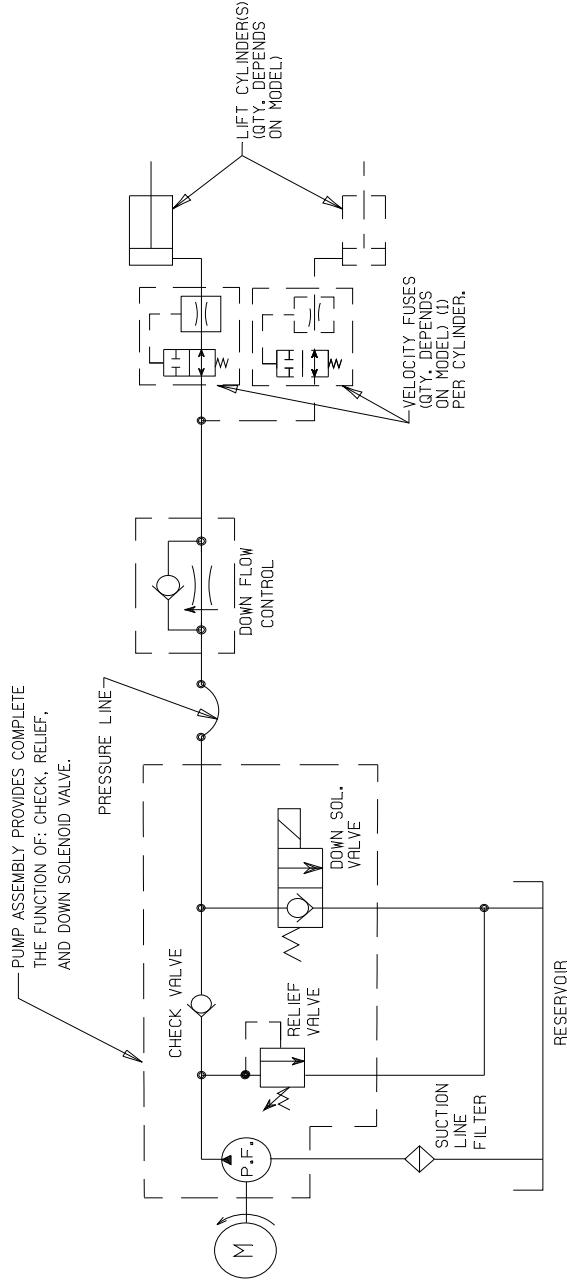
65750001



©2001 CDP/RIGHT RESERVED AUTOQUIP CORPORATION This drawing is the sole property of Autoquip Corp. and cannot be used for design and construction without permission of Autoquip Corp.	JOB NAME:	ORDER NO:
	DRAWING TITLE: HYD SCH FOR SCISSOR LIFT W/ DELTROL	DRAWING NUMBER: 65750001
APPROXIMATE WEIGHT: WJB	DATE: 10/13/99	PAGE: 1 OF 1
QUANTITY:	REV:	SIZE: A

Figure 10 Hydraulic Schematic – Heavy Duty Motor

GENERAL MAINTENANCE



HYDRAULIC SCHEMATIC

1	ADDED PLT-C TO TITLE	WJB	10/16/96
NO.	REVISIONS	BY	DATE
JOB NAME:			
AUTOQUIP BOX 1058 CUTHRICK, OK 73044		AQJ NO.	
DRAWING TITLE: HYD SCH FOR SM & PLT-C			
REFERENCE DWG: 658-0732-3A	DRAWN BY: DWL	DATE: 9/11/95	REV.:
APPROXIMATE WEIGHT: N/A	QTY. REQUIRED:	PAGE:	SIZE:
	1 of 1	1	657-5004-0
			A

© 1996
COPYRIGHT RESERVED
AUTOQUIP CORPORATION

This drawing is the sole property of Autoquip Corp. and cannot be used for design & construction without permission of Autoquip Corp.

Figure 11 Hydraulic Schematic – Super Torque Motor

GENERAL MAINTENANCE

WIRING AUTOQUIP "SUPER TORQUE" MOTORS

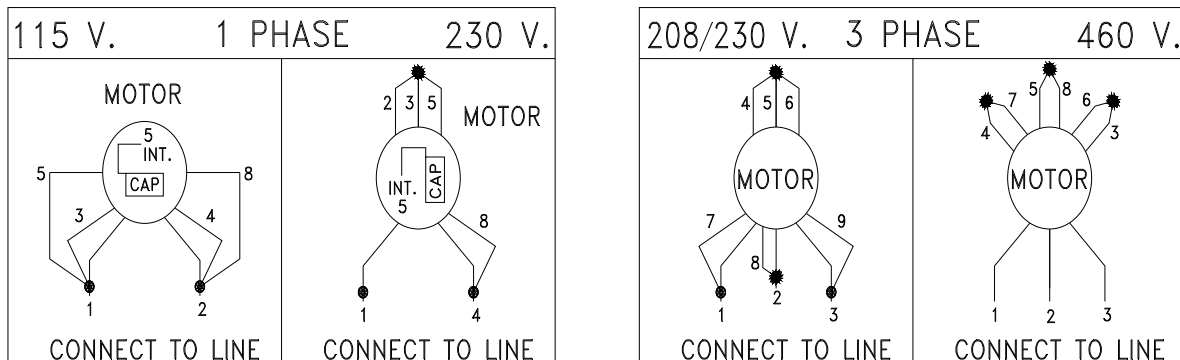
Because *Autoquip* "Super-Torque" motors actually deliver substantially more horsepower than their nameplate rating, they must always be wired for heavier current-draw than standard motors of the same nameplate rating. However, because of the starting efficiency and superior running characteristics of the "Super-Torque" motor, circuit components do not have to be as large as for standard motors of equal delivered horsepower.

The following chart should be referenced in connecting these motors to power sources, remembering that, where 115-Volt operation is contemplated, the current-draw is too heavy for plugging into ordinary lighting circuits. Heavy wire must be used all the way to the power-source.

HP and Source	Fuse Size	Circuit Breaker
1½ HP / 208-230 V/60 CY/3 PH	15 A	10 A
1½ HP / 460 V/60 CY/ 3 PH	7.5 A	5 A

NOTE: For larger horsepower motors, consult factory.

MOTOR CONNECTION DIAGRAMS



GENERAL MAINTENANCE

LIFT UP-STOP VALVE (when used)

The up-stop valve is bolted to a mounting plate that is permanently welded near the end of the scissors leg on the clevis end of the lift. A mechanical plunger is located on the end of the valve which, when depressed, blocks the flow of oil until physically released. An adjustable striker bolt is mounted to a plate that is welded to the base frame, which is also at the clevis end of the lift. As the lift travels upward, the scissors leg and up-stop valve assembly swings into the adjustable striker bolt until the up-stop plunger is depressed and thereby blocking the flow of oil to the cylinders. Once blocked, any further oil pumped from the power unit will pass over the relief back to the tank.



CAUTION!

Do not operate the power unit on relief for more than a few seconds. When on relief, the valve will make an audible squealing sound.

The up-stop system can be adjusted to modify vertical travel by:

1. Loosen the holding nuts on either side of the adjustable striker bolt.
2. Screw the adjustable striker bolt in (to shorten travel) or out (to raise travel).
3. Retighten the holding nuts.



CAUTION!

Setting the up-stop valve for travel beyond catalogue limits will cause the lift to fully raise against physical stops and, if the pump is allowed to continue to run, cause irreversible damage to the lift structure.

GENERAL MAINTENANCE

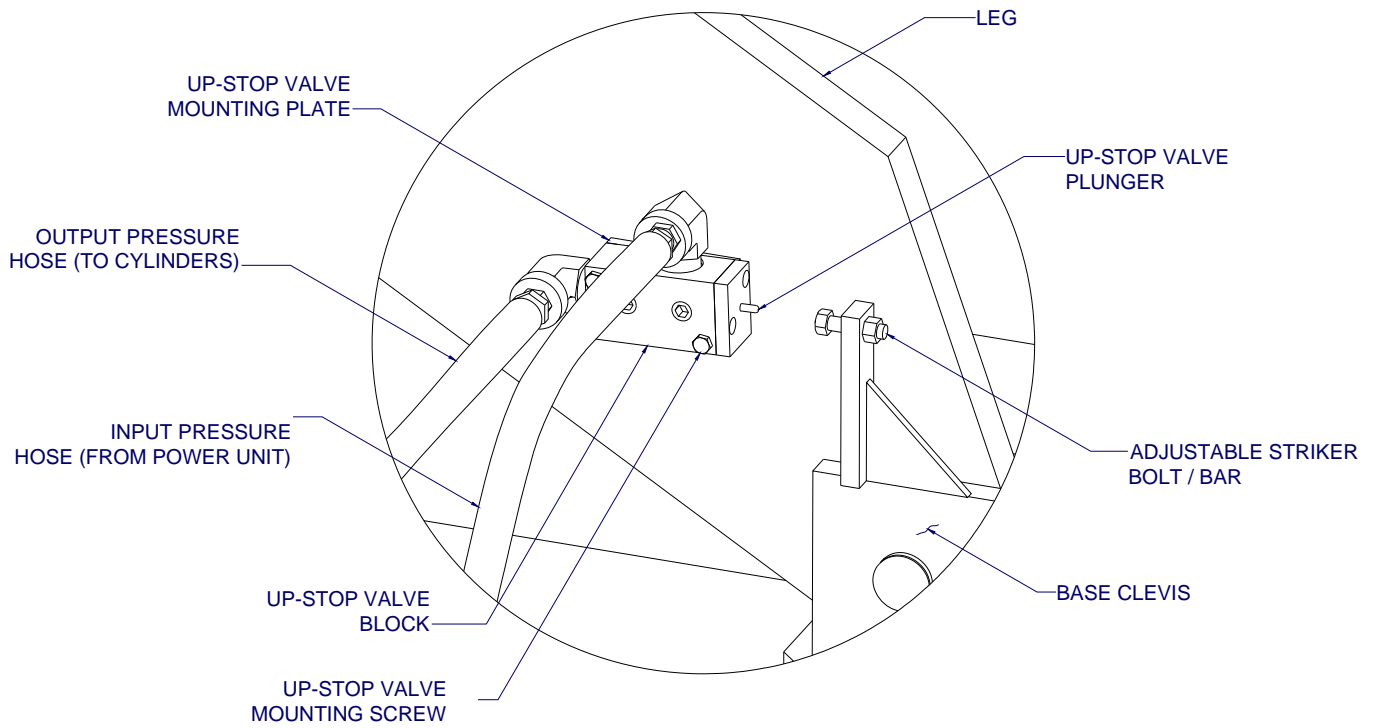


Figure 12 Up-Stop Valve System

REPLACEMENT PARTS LIST

Specific part numbers vary from job to job, depending on the model and options chosen for the application. Call the *Autoquip* Service Department with the serial number of the specific equipment to order the appropriate parts.

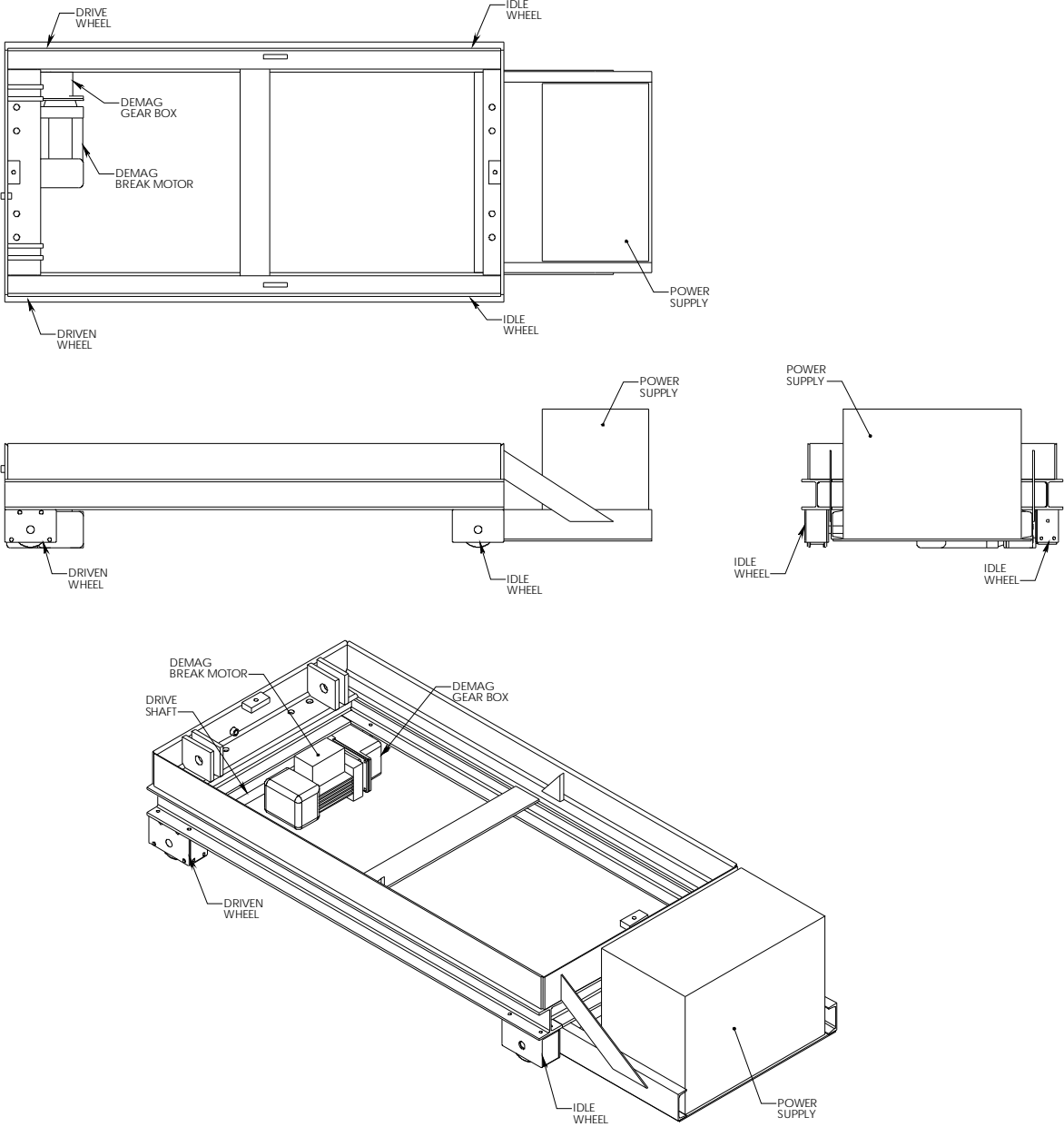


Figure 14 Typical Demag Drive Assembly

TROUBLESHOOTING ANALYSIS



DANGER!

To avoid personal injury, **NEVER** go under the lift platform until the load is removed and the scissors mechanism is securely blocked in the open position. See "Lift Blocking Instructions" section.

PROBLEM	POSSIBLE CAUSE AND SOLUTION
Lift raises, then lowers back slowly.	<ul style="list-style-type: none">• The "Down" solenoid may not be seating. Remove the solenoid coil and check again. If the lift does not hold with the solenoid coil removed, the down valve cartridge should be removed and cleaned or replaced as necessary.• The oil line, hose, or fitting may be leaking. Check and repair if necessary.• The check valve may not be seating. This is indicated by the pump shaft and motor turning backward on their own with no power applied. Generally, this condition can be heard. Replace the pump assembly.
Lift lowers very slowly.	<ul style="list-style-type: none">• The down-solenoid is not operating properly due to dirt or damage.• Check for pinched tubing or hose. Where pipe is used, check for obstruction in the line.• The oil is extremely viscous due to low ambient temperatures. Add or replace with lower weight oil that stays thinner in cold conditions (5W-15, etc.)


TROUBLESHOOTING ANALYSIS

PROBLEM	POSSIBLE CAUSE AND SOLUTION
Lift does not raise.	<ul style="list-style-type: none"> • The motor rotation for a 3-phase motor may be reversed. Reverse only two motor electrical leads. • Check for a line or hose leak. • Check for oil shortage in the reservoir. Add oil as necessary (See Oil Requirements in the “Routine Maintenance” section.) • The load may exceed the rating. (See the “Specifications” section.) Remove the excess load. • The suction screen may be clogged, starving the pump. Remove and clean the screen. Drain and replace the oil. • The suction line may be leaking air due to a loose fitting. Tighten as needed. • The breather holes in the reservoir fill plug may be clogged. Remove and clean. • The voltage at the motor terminals may be too low to run the pump with the existing load. Check by measuring the voltage at the motor terminals, or as near as possible, <u>while the pump is running under load</u>. Reading the source voltage or pump-idling voltage is meaningless. Inadequate or incorrect wiring can starve the motor when the source voltage is ample. Correct as necessary. • The "Down" valve may be energized by faulty wiring or stuck open. Remove the solenoid and check. • The motor may be single phasing. Check wiring, fuses, etc. • The pump may be seized if motor is humming or blowing fuses on overload protection devices. Remove the pump. The pump should be able to be rotated by hand. Check for cracks in the housing.

TROUBLESHOOTING ANALYSIS

PROBLEM	POSSIBLE CAUSE AND SOLUTION
Lift won't lower.	<ul style="list-style-type: none"> • The solenoid coil may be incorrectly wired, burned out, not rated for the voltage, or the line voltage may be excessively low. Check voltage near the coil. • The velocity fuse may be locked. Do not attempt to remove the velocity fuse. The following steps should be followed: <ol style="list-style-type: none"> 1. Remove the load from the lift. Inspect all fittings, hoses, and other hydraulic components for leaks or damage. 2. If no leak or damage is noticed, attempt to pressurize the lifting cylinder by depressing the "UP" button on the controller for a few seconds. Immediately upon releasing the "UP" button, depress the "DOWN" button. If the lift starts to lower, continue pressing the "DOWN" button until the lift is in the fully lowered position. 3. If the lift does not lower after trying Step 2, wait approximately 10 – 15 minutes for the pressure in the hydraulic system to equalize. Then, depress the "DOWN" button until the lift is in the fully lowered position. 4. Once the lift is in the fully lowered position, bleed the air from the hydraulic system by depressing the "DOWN" button. Hold the "DOWN" button for approximately 60 seconds. This step may need to be repeated several times to fully remove the air in the system by raising the lift to 50% of its travel and then lowering it. For the ram-style cylinder, oil may also be bled from the bleed screw located on the end of each cylinder casing. • Should the above steps not correct the problem, contact <i>Autoquip</i> to obtain instruction for further action.

TROUBLESHOOTING ANALYSIS

PROBLEM	POSSIBLE CAUSE AND SOLUTION
Lift seems bouncy during operation.	<ul style="list-style-type: none"> • Lower the lift to collapsed position and continue to hold “DOWN” button an additional 10-30 seconds to bleed air from the bleed screws. Do not confuse spongy or jerky operation with small surges that may occur when operating on rough or uneven floors <div style="text-align: center;">  <p>WARNING!</p> <p>Do not remove the bleed screw! This could cause the lift to drop rapidly, resulting in damage to the lift or cause personal injury. Loosen the screw carefully to let air out of the system.</p> </div> <ul style="list-style-type: none"> • Check for oil starvation.
Motor labors or heats excessively.	<ul style="list-style-type: none"> • The voltage may be low. Check at the motor terminals while the pump is <u>running loaded</u>, not at the line source or while the pump is idling. Inadequate wiring can starve the motor even when the source voltage is ample. • Most of <i>Autoquip’s</i> standard motors are rated for intermittent duty (two minute run times with two minute rests). If a single-phase motor is being run more than 15 – 20 motor starts per hour, or a 3-phase motor more than 200 starts per hour, the problem may be motor over-heating. • Running against relief pressure unnecessarily due to over loaded lift or hitting physical stops. • Failure to observe wiring diagram on nameplate for proper voltage connections. • The pump may be binding from oil starvation, which develops high internal heat. Check for low oil level or closed breather holes in the reservoir fill plug. The pump can be irreparably damaged by oil starvation and may have to be replaced.

TROUBLESHOOTING ANALYSIS

PROBLEM	POSSIBLE CAUSE AND SOLUTION
Lift won't go forward or reverse	<ul style="list-style-type: none">• The traverse path may be blocked with debris or other obstacle. Look under the base and remove any obstacle that may impede travel.• The axle may be “high centered” on some obstacle, preventing the wheels from gaining enough traction. Inspect under the axles and remove any obstruction.• The non-rotation devise may have broken or vibrated loose. Reattach or replace bracket.• The load may exceed the nameplate capacity and exceed the horsepower ratings for the drive train. Ensure the load is within the rated limits.• There may not be enough amps available. Check the supply amperage to ensure it provides the minimum amperage needed per the vendor's specifications.• There may be a loose electrical connection. Make sure all electrical connections are intact and check for shorts.

LIMITED WARRANTY

The user is solely responsible for using this equipment in a safe manner and observing all of the safety guidelines provided in the Owner's Manual and on the warning labels provided with the lift. If you are unable to locate either the manual or the warning labels, please contact Autoquip or access www.autoquip.com for replacement downloads or information.

Autoquip Corporation expressly warrants that this product will be free from defects in material and workmanship under normal, intended use for a period of Two (2) Years for Labor and all electrical, mechanical, and hydraulic components, parts or devices, and warrants the structure of the lift against breakage or failure for a period of Five (5) years. The warranty period begins from the date of shipment. When making a claim, immediately send your dealer or Autoquip notice of your claim. All claims must be received by Autoquip within the warranty time period. The maximum liability of Autoquip, under this Limited Warranty, is limited to the replacement of the equipment.

This warranty shall not apply to any Autoquip lift or parts of Autoquip lift that have been damaged or broken in transit/shipping, or due directly or indirectly to misuse, abuse, vehicle impact, negligence, faulty installation, fire, floods, acts of God, accidents, or that have been used in a manner contrary to the manufacturer's limitations or recommendations as stated in the manual, or that have been repaired, altered or modified in any manner outside of Autoquip Corp's manufacturing facility or which have not been expressly authorized by Autoquip.

Autoquip Corporation makes no warranty or representation with respect to the compliance of any equipment with state or local safety or product standard codes, and any failure to comply with such codes shall not be considered a defect of material or workmanship under this warranty. Autoquip Corporation shall not be liable for any direct or consequential damages resulting from such noncompliance.

Autoquip Corporation's obligation under this warranty is limited to the replacement or repair of defective components at its factory or another location at Autoquip Corp's discretion at no cost to the owner. This is owner's sole remedy. Replacement parts (with exception of electrical components) will be warranted for a period of ninety (90) days. Except as stated herein, Autoquip Corporation will not be liable for any loss, injury, or damage to persons or property, nor for direct, indirect, or consequential damage of any kind, resulting from failure or defective operation of said equipment. All parts used to replace defective material must be genuine Autoquip parts in order to be covered by this Limited Warranty.



AUTOQUIP CORP

P.O. Box 1058, Guthrie, OK 73044-1058

Telephone: (888) 811-9876 · (405) 282-5200

Fax: (405) 282-8105

www.autoquip.com